

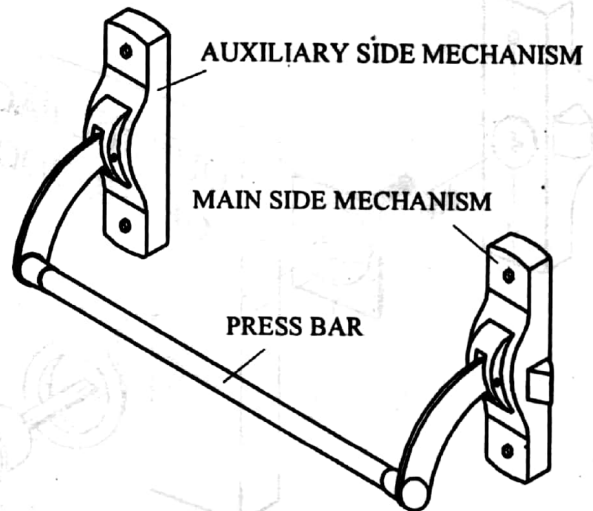
# PANIC EXIT DEVICE

## INSTRUCTION FOR DUAL DOOR

### 1. PARTS NAME



STRIKE

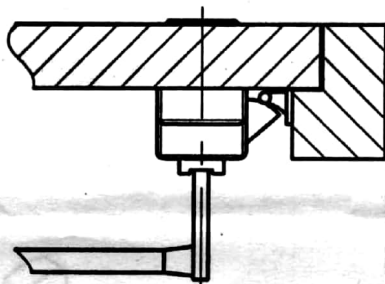


AUXILIARY SIDE MECHANISM

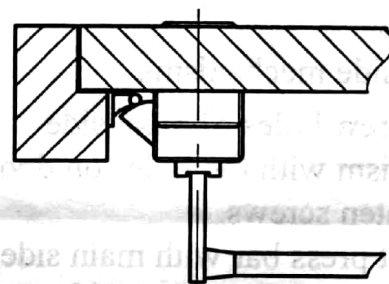
MAIN SIDE MECHANISM

PRESS BAR

### 2. TYPE OF INSTALLATION



Left Hand Installation



Right Hand Installation

### 3. INSTALLATION

3.1. Mark centerline  $\mathcal{C}$  location as shown in Figure 1-1.

3.2. Tape 'A' and 'B' template to frame aligned with center line  $\mathcal{C}$  as shown in Figure 1-2. Mark and prepare mounting holes per template.

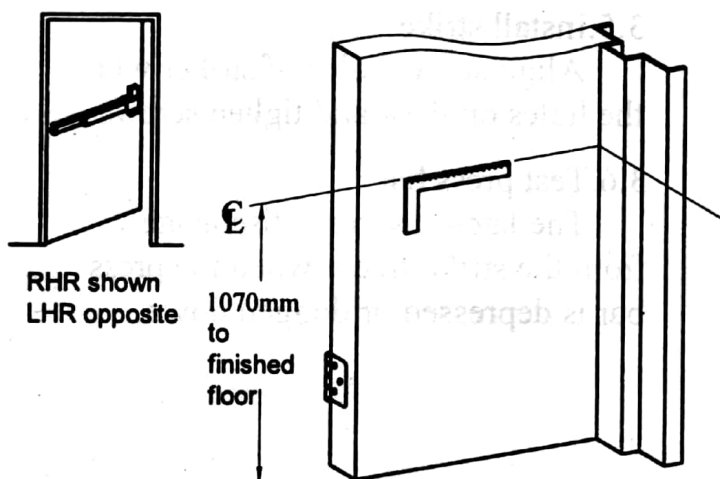


Figure 1-1

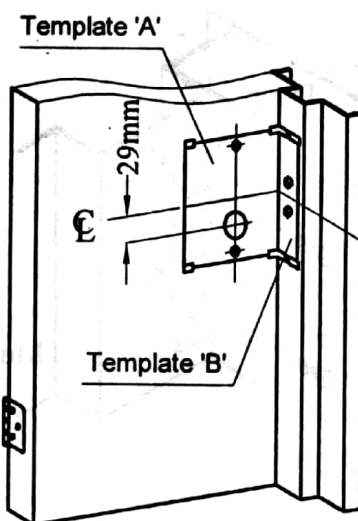
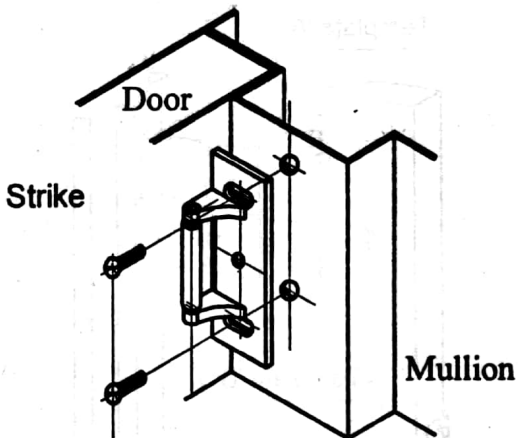
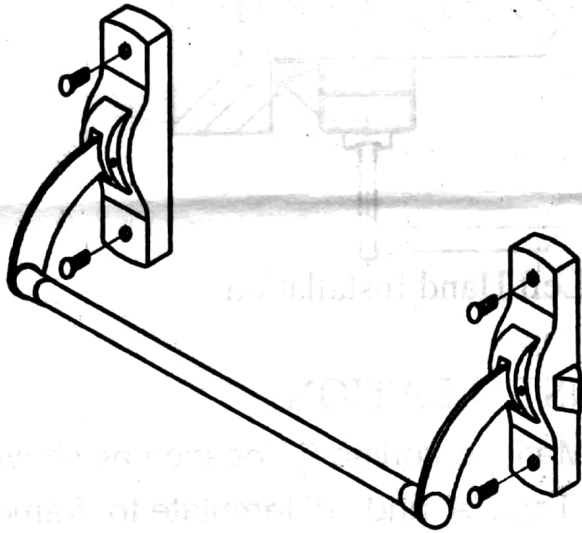


Figure 1-2

### 3.4. Install side mechanisms

- i) Align screw holes of main side mechanism with the holes on door and tighten screws.
- ii) Connect press bar with main side mechanism and auxiliary side mechanism. If the width of door is less than the length of press bar, cut end portion of press bar as needed to fit door size.
- iii) Tighten screws of auxiliary side mechanism.



### 3.5. Install strike

Align screw holes of striker with the holes on door and tighten screws.

### 3.6. Test press bar :

The latches should disengage from the strike freely when the press bar is depressed or dogged down.