

GEZE TS 2000 V

Surface-mounted rack and pinion door closer, closing force size 2/4/5 according to EN 1154

Product features

- ▶ With variable closing force, size EN 2/4/5
- ▶ Closer body available as only one size as standard
- ▶ Closing speed adjustable at front
- ▶ Latching action adjusted via link arm
- ▶ Concealed mounting plate

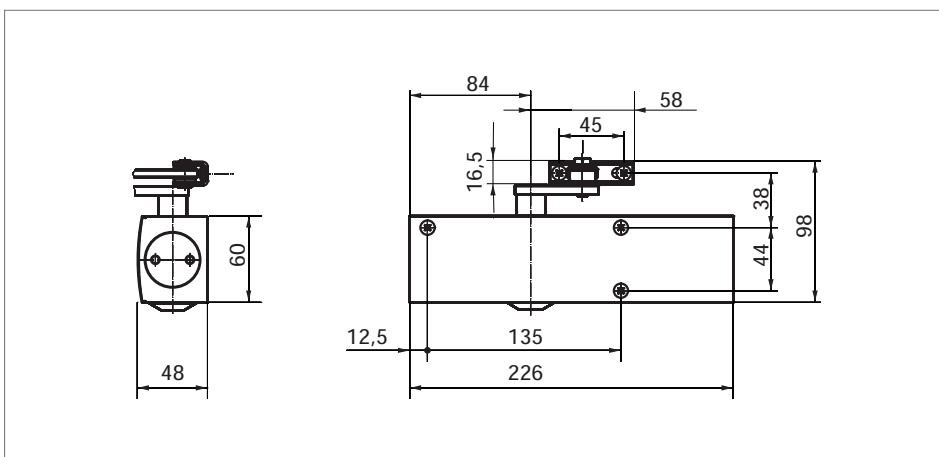


Fig. 12-1

Application range

- ▶ For single-action doors up to 1250 mm
- ▶ Can be used for right and left hand doors without adjustment
- ▶ Standard type of installation: door mount, transom mounting is possible

Standard version/package

Overhead door closer GEZE TS 2000 V complete with screw accessories and fitting template (mounting plate not included); still needed: link arm

- ▶ **GEZE TS 2000 V with hold-open link arm**
for an adjustable opening angle between 70° and 150°
- ▶ **GEZE TS 2000 V BC**
with hydraulic latching action adjustable at front and fixed back check

Specification text

Overhead rack and pinion door closer GEZE TS 2000 V with variable closing force size 2,4 and 5 as per EN 1154, closing speed adjustable at front, standard type of installation: door mount on hinge side, also available with optional mounting plate.

Finish:

- () silver
- () dark bronze
- () white
- () RAL ...

GEZE TS 2000 V – Ordering information

Description	Finish	ID No.
GEZE TS 2000 V door closer without link arm	silver	103386
	dark bronze	103387
	white RAL 9016	103388
	RAL-colour	103389
GEZE TS 2000 V BC	silver	103392
	dark bronze	103393
	white RAL 9016	103394
	RAL-colour	103406
Link arm	silver	102421
	dark bronze	102422
	white RAL 9016	102423
	stainless steel effect ¹⁾	102426
	RAL-colour	102425
Extended link arm for transom mounting with soffit 70-170 mm	silver	102431
	dark bronze	102432
	white RAL 9016	102433
	RAL-colour	102434
Hold-open link arm can be enabled / disabled	silver	102445
	dark bronze	102446
	white RAL 9016	102447
	RAL-colour	102448
Hold-open link arm cannot be disabled	silver	102454
	dark bronze	102455
	white RAL 9016	102456
	RAL-colour	102457
Continuation GEZE TS 2000 V – Ordering information, see page 14		

¹⁾ finish stainless steel effect for dry rooms only

Continuation GEZE TS 2000 V – Ordering information

Description		Finsh	ID No.
Mounting material			
Mounting plate for doors where direct mounting is not possible			055756
Clamping plate for plate glass doors		silver	055773
		dark bronze	055774
		white RAL 9016	009499
		RAL-colour	009500
Lintel casing angle for transom mounting		silver	055766
		dark bronze	055767
		RAL-colour	104450
Mouting plate for segmental arch door (max. arch height 130 mm)		silver	059044
		dark bronze	059045
Drilling template			053134
Accessories			
Cover caps (only suitable for direct installation)		silver	013487
		dark bronze	014849
		white RAL 9016	014855
		polished brass	072770
		stainless steel	072769
		RAL-colour	014856
Serrated spindle extensions, length:	10 mm	galvanised	103548
	15 mm	galvanised	103549
	20 mm	galvanised	103550
	10 mm	black chromated	103677
	15 mm	black chromated	103678
	20 mm	black chromated	103679

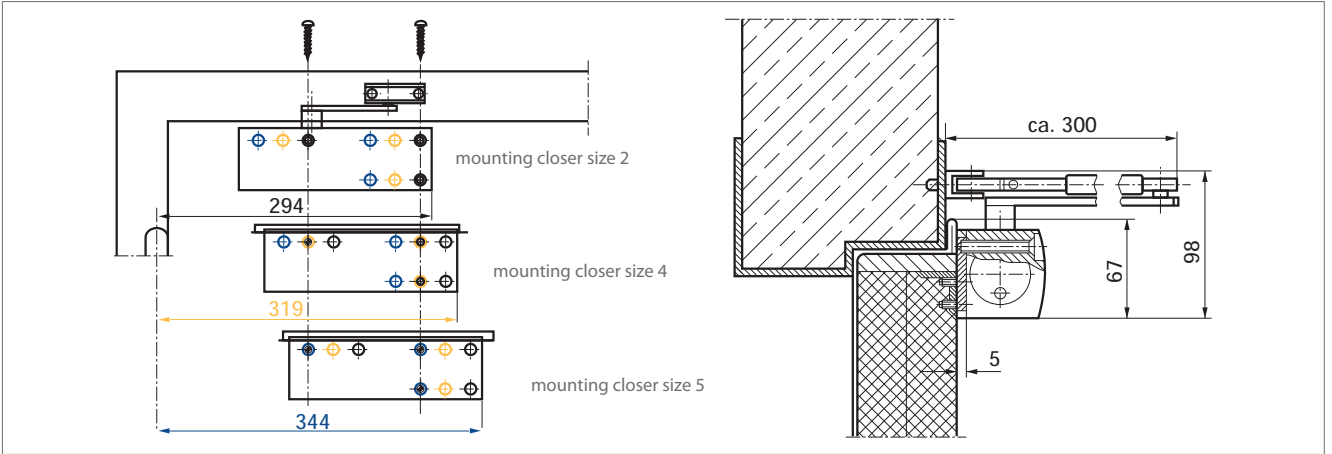


Fig. 15-1

Mounting on hinge side / door mount

Example showing the mounting of GEZE TS 2000 V, see Fig. 15-1

The closing force is adjusted by changing the mounting position:

- = mounting closer size 2
 - = mounting closer size 4
 - = mounting closer size 5
- according to EN 1154

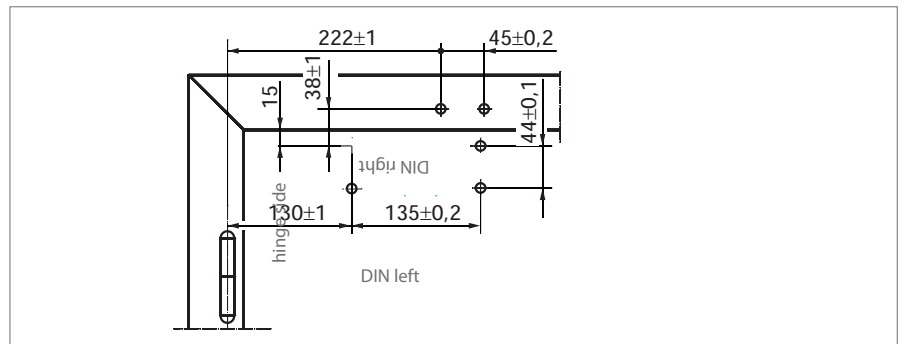


Fig. 15-2

Installation with mounting plate

Mounting plate, 5 mm deep, drill-hole pattern to DIN EN 1154 appendix 1, for doors where direct mounting is not possible, see Fig. 15-2

Mounting dimensions for left closing door, see Fig. 15-3
for right closing door, see Fig. 15-4

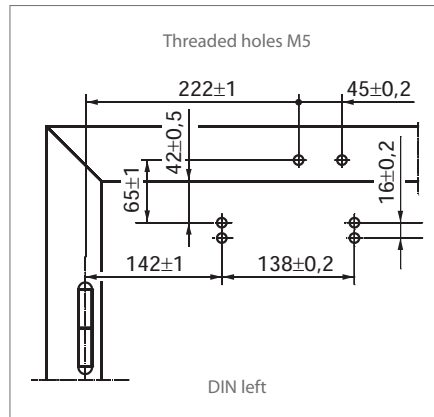


Fig. 15-3

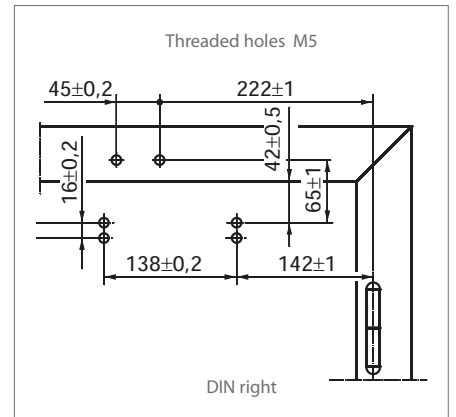


Fig. 15-4

Direct installation

Mounting dimensions for left closing door, see Fig. 15-5
for right closing door, see Fig. 15-6

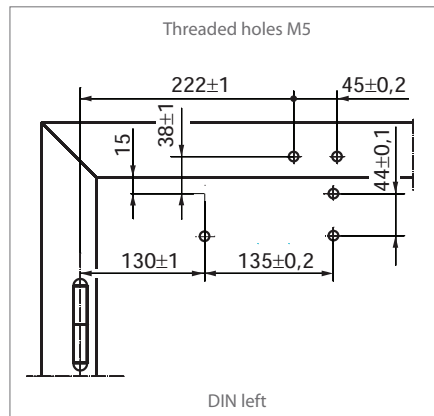


Fig. 15-5

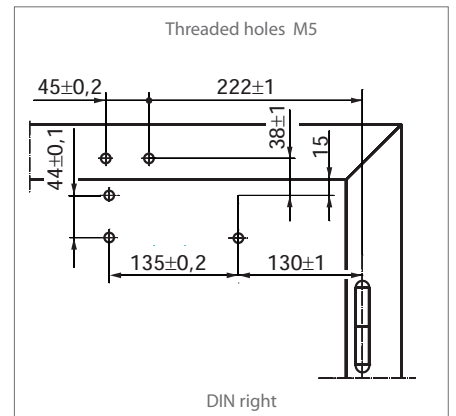


Fig. 15-6